



# PolyChink™

## High-Performance Textured Caulk & Log Home Sealant

Continental Products **PolyChink™** is a combination textured wood caulk & synthetic, high-performance flexible log home chinking product. The unique, high-performance siliconized acrylic formulation of PolyChink makes it the ideal jack of all trades when it comes to sealing & chinking in & around your log home. Log joints, windows, doors, eaves, soffits, foundations – PolyChink seals it all. It's rustic, rugged appearance blends in with wood's natural character. PolyChink is available in 6 nature-inspired shades designed to complement a host of today's most popular log home trim & finish colors. PolyChink is also 100% compatible with Continental's WeatherSeal™ & PolySeal™ wood finishes.

As a general-purpose, textured wood caulk, PolyChink gives you the high-performance weatherproofing & sealing capabilities of a premium formulation acrylic hybrid sealant with the rustic, outdoorsy look of a traditional sanded mortar or grout. Once applied, PolyChink becomes one with the wood, blending in seamlessly to create a smooth transition between logs & other joints. It's designed with the log home owners in mind, it won't detract from the home's aesthetic. You want to see your logs, not the caulk.

As a synthetic chinking, PolyChink is a game-changer. When properly applied & used with an appropriate backer rod, PolyChink is designed to provide years of worry-free, maintenance-free protection from the elements. Gone are the days of cement-based mortars whose chipping & cracking were as inevitable as carpenter bees & mildew. Forget about old-school acrylic latex chinking that constantly pulls away, cracks & shrinks. PolyChink develops an excellent bond with both treated & untreated wood & because it's formulated to remain permanently flexible & resist shrinking, it's going to stay put & move along with your home as it ages.

### Features & Benefits

- Unique siliconized acrylic latex formulation
- Soap & water clean-up
- Textured for the look & feel of traditional mortar & grout
- Remains permanently flexible
- Environmentally friendly low VOC formula
- No surface priming necessary
- Non-flammable
- Superior adhesion to most common building materials
- Resists UV degradation & weathering
- Resists mold & mildew
- Adheres to porous surfaces
- Low-odor
- Paintable/Stainable
- Siliconized chemistry promotes adhesion to most common building materials including wood, metal, glass & plaster
- Compatible with standard backer rod materials
- Low-sag consistency stays in place
- Adheres to both stained & untreated wood
- Finishes easily with hand tools & water
- Great for indoor & outdoor use
- Freeze-thaw stable
- Skins over in about 30 minutes, tack-free in less than one hour

### Packaging

- 10.3 FL OZ./300 mL cartridges
- 29 FL OZ./858 mL cartridges
- 4.5 GAL/17 L pails

### Colors

- Bone
- Vellum
- Khaki
- Redwood
- Caramel
- Chocolate

### Applications

PolyChink is both an amazing synthetic, permanently flexible, no-shrink log home chinking & an excellent sealant & general-purpose textured wood caulk & sealant. It really is two products in one. It can be used across a wide range of applications & just about anywhere a long-term, permanently flexible, weatherproof bond or seal is desired.

- General sealing & crack filling
- Bathroom installation/sealing
- Window & door weatherproofing
- Log home chinking & exterior log & trim sealing
- Aluminum & metal siding
- Glass glazing
- Trim work
- Tub & tile
- Cabinets
- Sealing applications where painting is required
- Vinyl, aluminum, & metal siding

### Storage

PolyChink can be stored in its original, unopened containers for up to two years in an environment that is not prone to wide fluctuations in temperature. Just like you, PolyChink doesn't like to get too hot or too cold. It's also best to prevent PolyChink from freezing. Using PolyChink that has been frozen may result in less than ideal results. Any PolyChink older than two years probably won't perform very well.

## Properties

• Cure System	Siliconized Acrylic Latex	
• Movement Capability, %	+/-10%	ASTM C-719
• Modulus	High	ASTM D-412
• Physical Properties (Cured)	Rubber	
• Specific Gravity	1.55	
• Extrusion Rate, g/min.	750	ASTM C-1183
• 1/8" orifice @ 50 psi		Modified
• Service Temperature Range	-5°F to 170°F	
• Application Temperature Range	40°F to 100°F	
• Accelerated Wathering (10,000 hrs.)	No Charge	QUV Weatherometer
• Skin Over Time (min)	30*	MNA Method
• Tack Over Time (min)	50*	ASTM C-679
• Cure Rate	1/8" per 72 hrs*	MNA Method
• Tensile Strength kv/mm (v/mil)	125	ASTM D-412
• Elongation %	350	ASTM D-412
• Durometer Shore A	40	ASTM C-661
• Solids by Weight	85%	ASTM D-2022
• Slump of Sealant	NIL	
• Shelf Life (months)	24	
• Volatile Organic Content	40 gr./liter	

\*All properties derived from lab conditions (77°F @ 50% relative humidity)

Test results are averages obtained under laboratory conditions. Reasonable variations can be expected.

## Directions for Use

It's very important that you read & understand this data sheet & application guide completely before beginning your PolyChink application. Always test in an inconspicuous area first to become familiar with how PolyChink behaves & to make sure you're satisfied with the overall results. Any product already on the application surface that contains waxes, non-drying oils, or silicones may interfere with PolyChink's adhesion & must first be removed. PolyChink is compatible with all Continental wood finish products. If unsure about PolyChink's compatibility with another product, please call Continental before applying.

### DIRECTIONS

Continental PolyChink is ready to use straight out of the tube or pail & requires no mixing or special additives. PolyChink begins to cure as soon as it encounters the air, so take care to open only as many containers as you need for the job.

### SURFACE PREPARATION

PolyChink works best when it's applied to surfaces that are clean, dry & free from oils, loose mortar, laitance, form release agents, old caulking, old paint or other contaminants. Allow new concrete to cure for 30 days before caulking & apply when the temperature is between 40°F & 90°F (4°C & -32°C).

### JOINT DESIGN

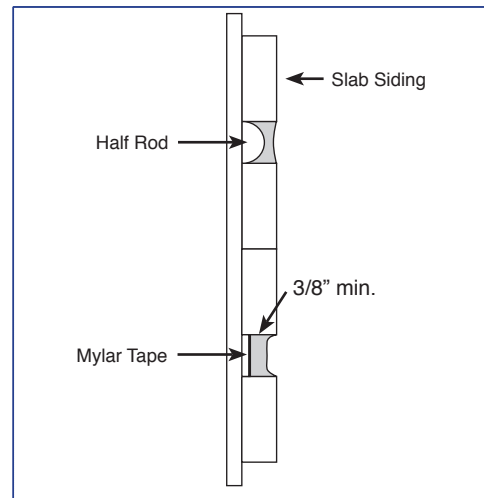
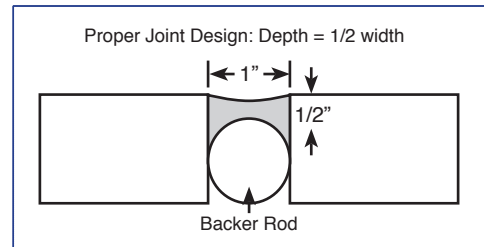
Joints should not be more than 1/2" in width or depth. Joints deeper than 1/2" should be filled to within 1/2" of the surface with appropriate foam filler/backer rod.

### APPLICATION

Mask areas that are not to be caulked/sealed. Cut the nozzle at a 45° angle & to desired bead size. Gun out a smooth bead. Keep nozzle pressed against the surface & slowly draw along seam. Apply a uniform, continuous bead. Tool with a damp foam brush or your finger to ensure a tight seal to both sides of the joint. Clean excess product off surfaces (before it cures) with a putty knife &/or a damp rag. Remove masking immediately after tooling before a skin has formed on the caulk/sealant.

### TOOLING

Tool caulk with appropriate tool to ensure firm, full contact with the surface or the joint. If necessary, smooth the surface with wet finger or spatula & wipe off the excess with a water dampened rag.



## POLYCHINK FLEXIBLE LOG HOME CHINKING APPLICATION GUIDANCE

If you take the time to prepare, you will be rewarded. Trust us on this one. Preparing the surface & following proper application guidelines when applying PolyChink are critical for long-life & performance. Reading instructions & application guides thoroughly before beginning:

1. To get the best performance out of PolyChink it should only be applied to clean, dry, stained wood. Freshly stained wood should be allowed to dry for 3-4 weeks prior to chinking. If you plan to stain after you have installed PolyChink be sure to use Continental's WeatherSeal or you'll spend a lot of time taping off the chinking. It's also important that you test the compatibility of PolyChink & the stain that is on your log home. If your home is stained with a product that isn't made by Continental, please contact your Continental sales representative for assistance or give us a call at 800-305-5869.
2. Like most finishing products, PolyChink works best when it's applied in comfortable environmental conditions. If you're not comfortable, chances are PolyChink won't be either. PolyChink works best when it's applied in the shade, when it's not raining & when the air temperature is between 50°F-90°F (10°C – 32°C).
3. If you've got a surface thermometer, check to make sure the wood surface is no colder than 40°F (4°C) & no warmer than 90°F (32°C) before applying PolyChink. If the surface is too cold, PolyChink will not adhere or cure properly & if it's too hot it may cure prematurely & not finish well.
4. The key to any successful chinking project is in the backer material or "bond breaker". Backer rods & other fill materials not only cut down on the amount of chinking you'll use by filling in the gap, they provide a non-adherent material over which the chinking moves during joint expansion & contraction. Install a proper backer material first before PolyChink is applied. If PolyChink is to be applied over white styrene bead-board or house wrap, cover the bead-board or wrinkle-free house wrap with clear packing tape first to prevent the PolyChink from adhering to the surface.
5. Using a standard caulk gun, bulk loaded gun, or pail pusher system, apply an even bead of PolyChink over the backing material ensuring that the sealant depth is about half of the joint width. The ideal sealant depth should be somewhere between 1/4" & 1/2".
6. Before PolyChink begins to tack over (within 10 minutes) tool with a sponge brush dipped in water or a small, metal smoothing tool to ensure adequate contact with the log surfaces.
7. All chinking products are prone to blistering. To minimize blistering do not apply PolyChink in direct sunlight & cover fresh applications with plastic sheeting for 1-2 days.

## CLEAN UP

Always clean up residual PolyChink before it cures. Cleaning up yourself & your tools after using PolyChink is easy. No harsh chemicals or solvents are required, just mild soap, warm water & a little elbow grease. Dispose of any unused portions of PolyChink in accordance with local regulations & be kind to Mother Nature – don't dispose of large quantities in drinking water supplies or storm drains.

## PAINTING & STAINING

PolyChink is 100% compatible with Continental Product's line of interior & exterior wood finishing products. You can also paint & stain PolyChink with latex paint/stain in 24 hours or oil-based paint/ stain after 1 week.

## SAFETY PRECAUTIONS

The use of protective gloves & eyewear is recommended when using any type of adhesive or sealant. Use only with adequate ventilation & avoid prolonged contact with bare skin or eyes. Wash hands thoroughly with warm water & soap after using. Do not transfer contents to other containers for storage. In case of eye or skin contact, flush with copious amounts of water. If irritation persists, seek medical attention. **DO NOT TAKE INTERNALLY. KEEP OUT OF THE REACH OF CHILDREN.**

## LIMITATIONS / DON'TS

- Not for use below grade, on aquariums, or for marine use below the water line.
- Never use in architectural joints, joints subject to heavy abrasion, wear or joints frequently under water.
- Apply at temperatures above 40°F.
- For indoor & exterior use only.
- Do not apply when rain or moisture is expected.
- Do not apply to frozen or frost covered surfaces.
- Protect from freezing.

### PolyChink Premium Textured Sealant & Flexible Log Home Chinking Limited 5-Year Warranty

For a period beginning with the date of product purchase and not to exceed (5) years, Continental Products warrants the performance of PolySeal Premium Textured Sealant & Flexible Log Home Chinking that has been applied properly and in accordance with the label directions such that PolyChink Premium Textured Sealant & Flexible Log Home Chinking will remain adhered to and not pull away from log surfaces and that it will remain flexible and will not tear or crack when subjected to the stresses of typical construction joint movement. This five-year warranty is limited to applications of PolyChink Premium Textured Sealant & Flexible Log Home Chinking on approved substrates and does not apply to applications over previously-applied chinking materials. Contact your nearest Continental Products distributor for guidance regarding substrates and application methods. In the event of a claim under the terms of this warranty, Continental Products limits its liability to the cost of replacement product only. This warranty specifically excludes labor, consequential damages, and associated products. This warranty does not apply to custom formulations or colors. To obtain replacement material, contact any Continental Products distributor location. Continental Products Company, Inc. reserves the right to inspect any structure before product replacement. No other warranties are expressed or implied. This warranty is transferable and is limited to applications on properties within the United States and Canada.