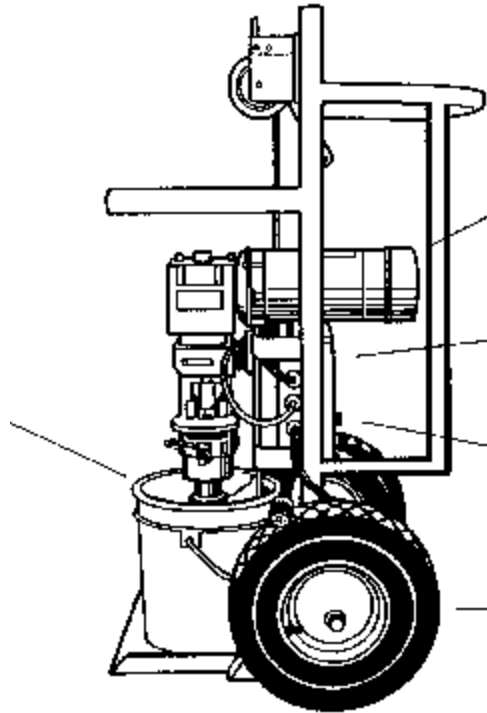


Snorkler Specifications



Self-priming pump feeds directly out of a straight-sided 5-gallon bucket. No messy transfer of chinking or caulking.



Easy to use electric motor operates on standard 115 voltage.

Malfunctions in the field are quickly identified by trouble indicator lights.

Easy to read line markers indicate when to change buckets.

Large rubber tires on a sturdy cart.

The Snorkler Includes:

1 complete Snorkler Pump with all motor and cart parts

1 instruction manual

3 Snorkler tips (sizes: 3/4", 1", 1 1/4")

25 foot hose

TI90-PACKINGS
 TI90-ROTOR
 TI90-SNK-4-KCD
 TI90-SNK4-034
 TI90-SNK4-100
 TI90-SNK4-150
 TI 90-SNK4-PKW
 TI90-SNKZ9319
 TI90-SNORKHOSE
 TI90-SPRAYATACH
 TI90-STATOR
 TI90-TRIGGER SW

Replacement Parts:

Snorkler Part-Packing Rainsflo
 Snorkler Part-Rotor
 Snorkler Part-Hose, Kamlock, fem
 Snorkler Part-Nozzle 3/4"
 Snorkler Part-Nozzle 1"
 Snorkler Part-Nozzle 1-1/2"
 Snorkler Pan-Packing Washer
 Snorkler Part-Rotor Pin
 Snorkler Part-Hose w/Electric
 Snorkler Part-Spray Attach't
 Snorkler Part-Stator
 Snorkler Part-Trigger Switch

Snorkler Specifications		Expected Production Rates	
Height:	51"	Joint Size	Speed
Width:	25-3/4"	1" x 1/4"	123 ft/min
Depth:	29"	2" x 1/4"	31 ft/min
Weight:	285 lbs.	3" x 1/4"	20 ft/min
Shipping Weight:	325 lbs.	4" x 1/4"	15 ft/min
Power:	115 Volts AC	Expected Flow Rates .8 gallons per minute at high speed with 1-1/4" tip (Log Jam @ 70 F.). Flow rate is affected by length of hose, temperature, viscosity of material being pumped, size of tip used and the amount of wear (over time) on the stator.	
Used With:	5-gallon, straight-sided buckets only		
Tip Sizes:	1/4", 1", 1-1/4" (standard equipment)	Hose Length:	25 feet (standard equipment)
Stator:	Rubber pump sleeve size 2L3, Buna-N Rubber; this part is the most subject to wear and will need to be replaced periodically.		